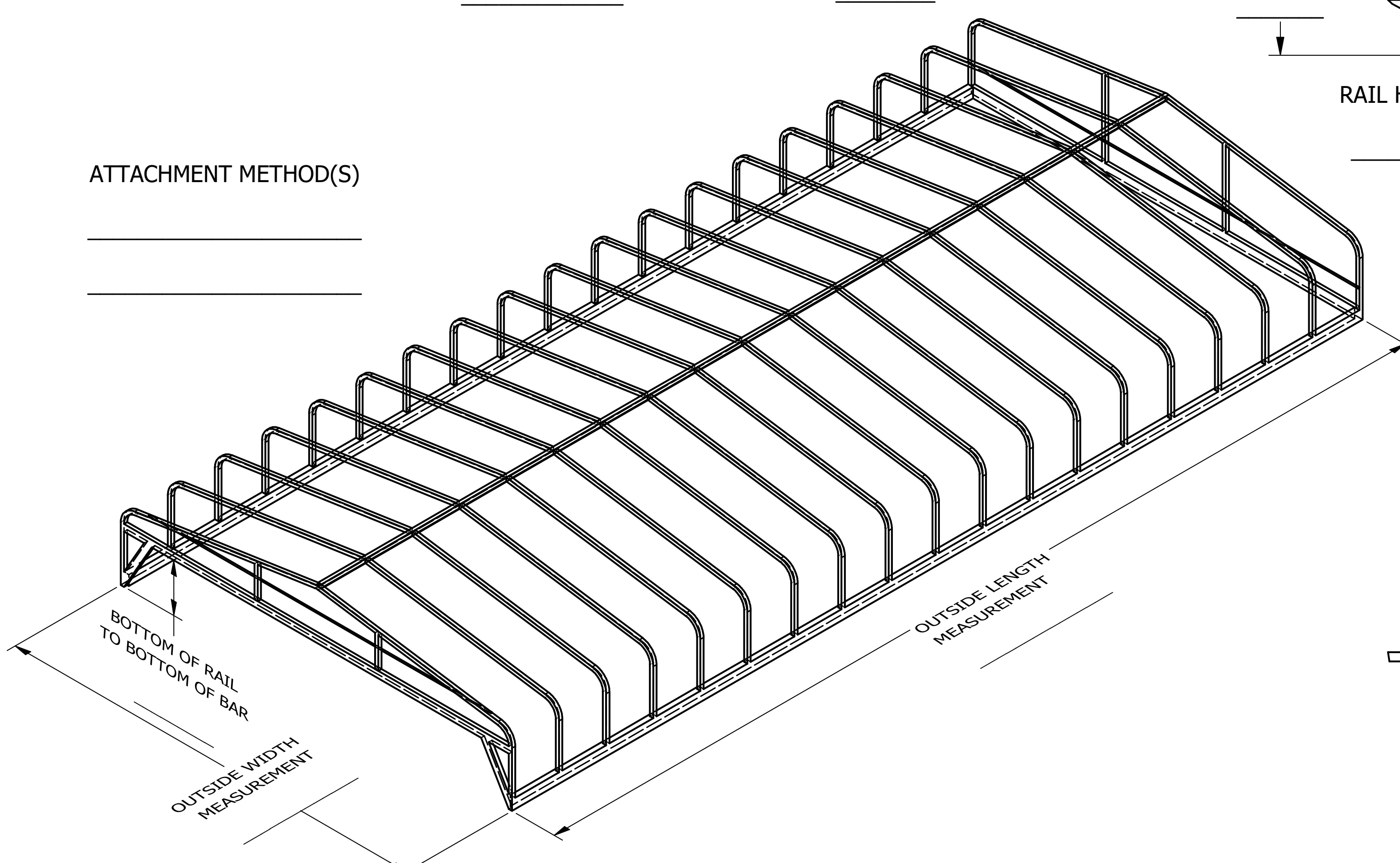
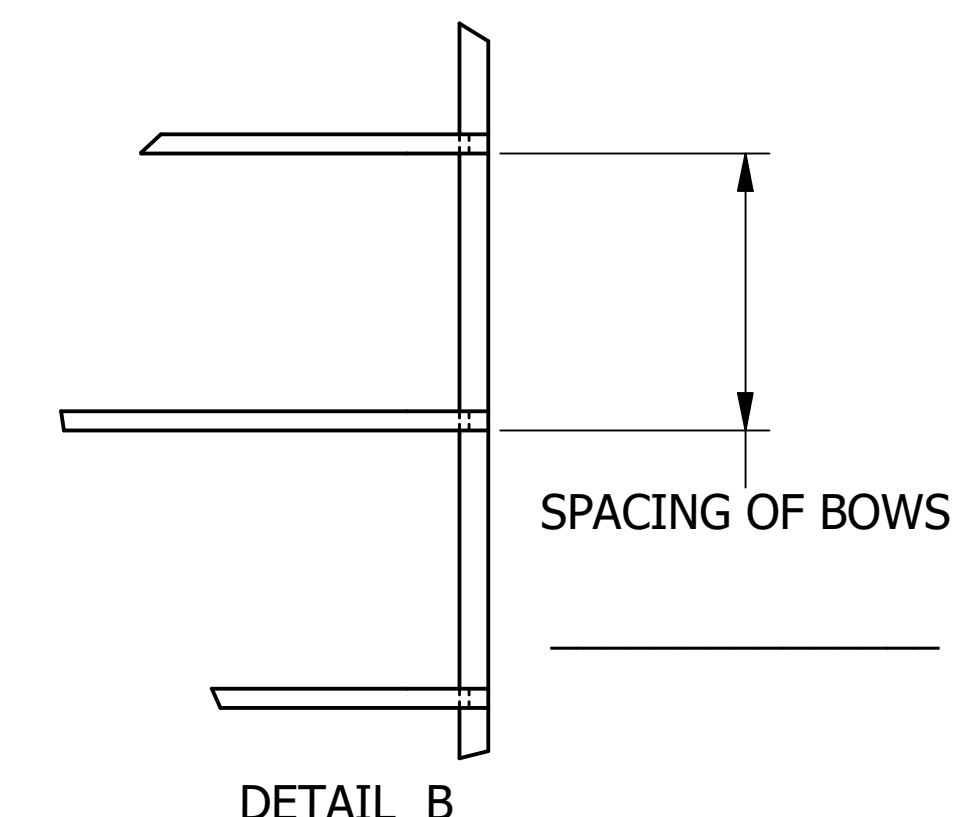
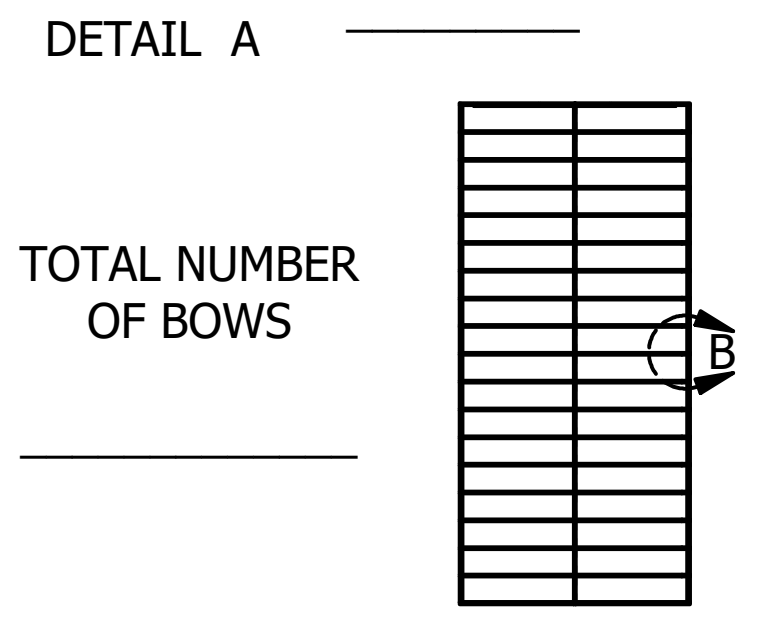
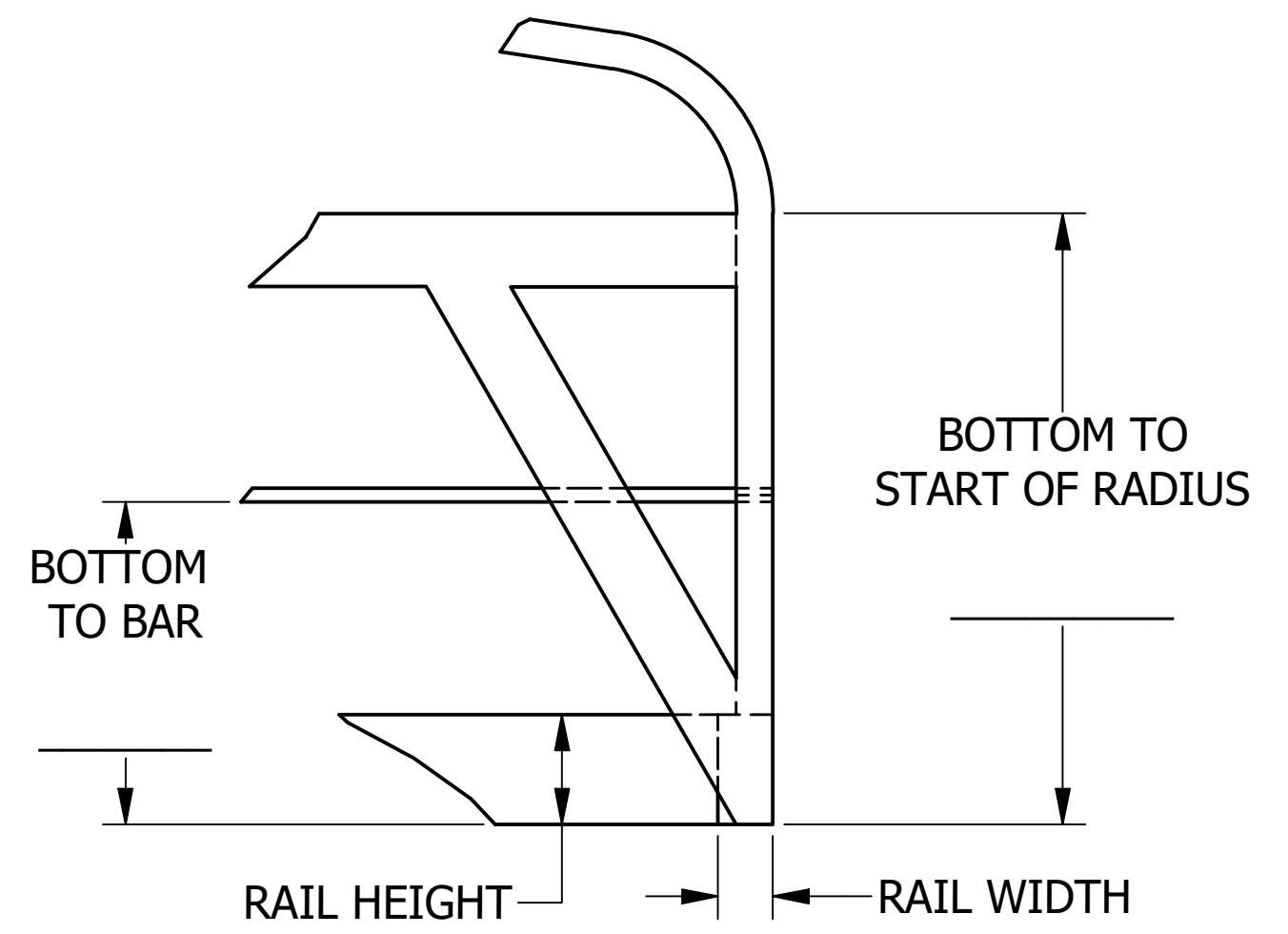
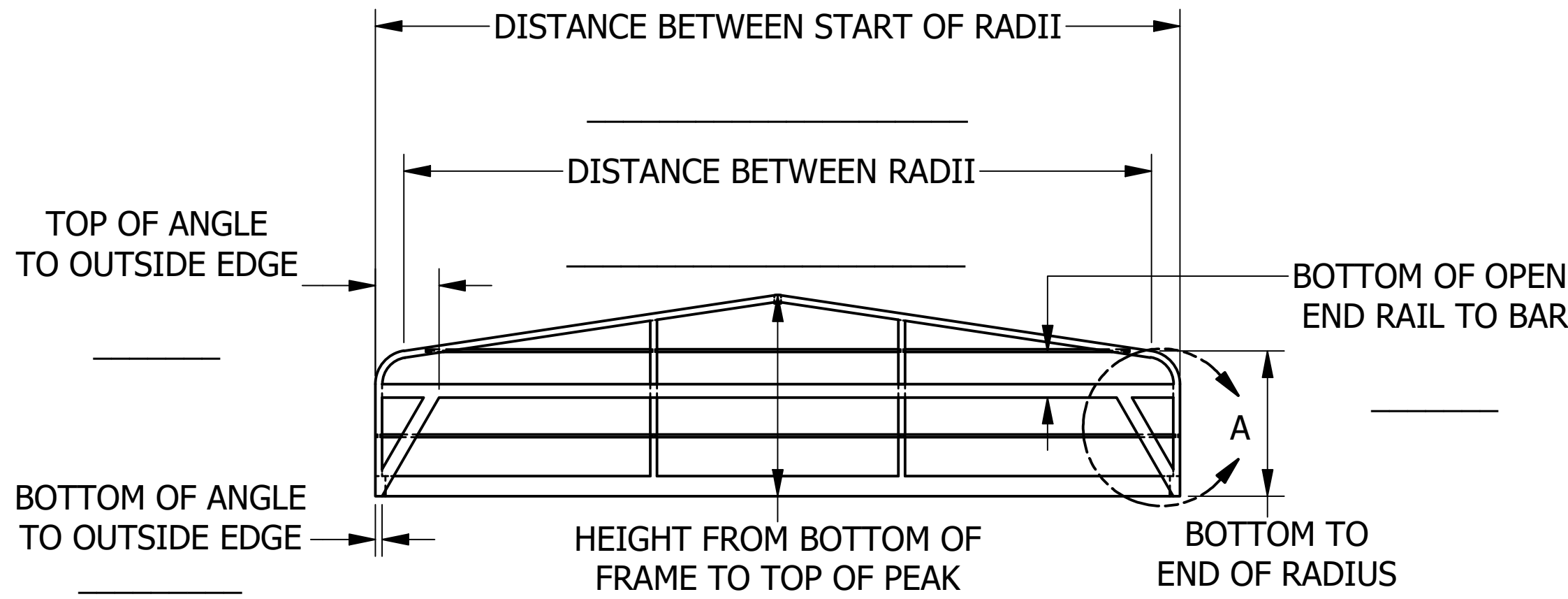


REVISIONS				
REV	ECN	DATE	DESCRIPTION	ISSUER
A	EC-00852	4/18/2019	RELEASE	RML



TOLERANCES - UNLESS NOTED  
 DECIMAL ±  
 FRACTION ±  
 ANGLE ±  
**NOTICE** THIS ILLUSTRATION IS THE PROPERTY OF RUSH-CO, AND MUST NOT BE USED IN ANY WAY DETRIMENTAL TO RUSH-CO'S INTERESTS.



1314 Walnut St. - Springfield, SD 57062 605-369-6000

TITLE: <b>CRAFTLANDER HIGH TOP OPEN END FRAME DETAIL SHEET</b>		SIZE <b>C</b>
DRFT: robert.lambert	DATE 4/18/2019	SCALE
ENGR: CRH	DATE 4/18/2019	SHEET 1/1
PART NO: <b>F-169</b>		